

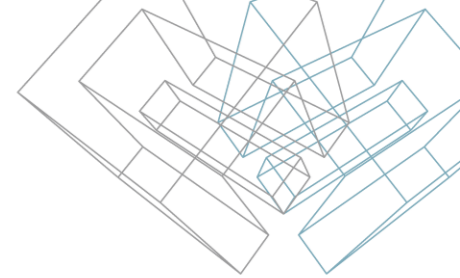
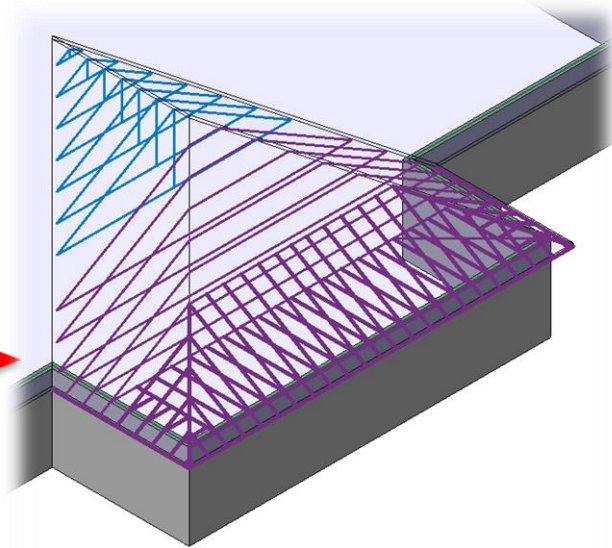
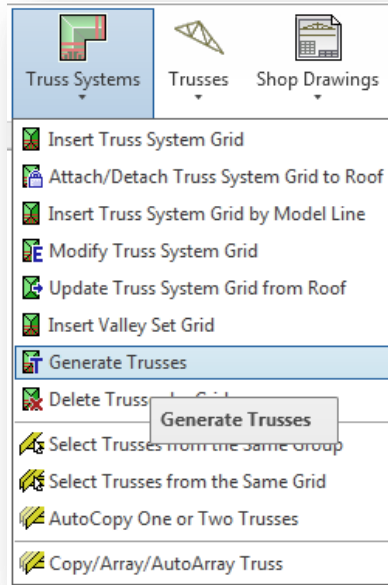


METAL FRAMING TRUSS+

Generate Trusses

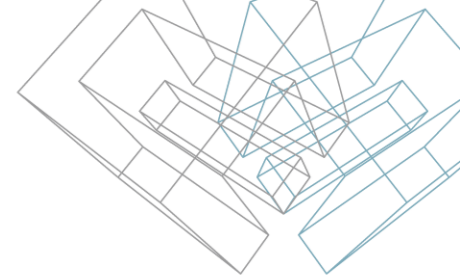
Generate Trusses

- Select a grid.
- Choose *Generate Trusses* directly from “Truss+” menu.



Generate Trusses

- Check which trusses you want to generate and choose types.



Generate Trusses

Truss System
Truss System: Step Down - HE-HG-JT-SB2400-TCH35x90
Top Chord: 35.00 x 90.00 (thickness x depth)
Set Back: 2400.00
Span: 9893.30

Generate

Common trusses M_Truss_Common Truss Attic Room 1L+1R : W35_TCH90_VW90_DW90_BCH90

Hip (Barn) end trusses M_Truss_Hip End Truss Double Howe&Gambrel_3L+3R : W35_TCH90_VW90_DW90_B

Jack trusses M_Truss_Jack Truss Howe_1L : W35_TCH90_VW90_DW90_BCH90

Jack rafters M_Truss_Rafter Wood Beam : 35x90

Comer girder trusses M_Truss_Comer Girder Truss Mono Howe_1L : W35_TCH90_VW90_DW90_BCH90

Comer girder rafters M_Truss_Hip Rafter Wood Beam : 35x90

Gable end trusses M_Truss_Common Truss Attic Room 1L+1R : W35_TCH90_VW90_DW90_BCH90

Valley trusses M_Truss_Valley Truss Standard : W35_TCH90_VW90_DW90_BCH90

Hip frames

Cantilivered trusses

Generate Jack trusses and Comer girders on Left side of Truss System

Generate Jack trusses and Comer girders on Right side of Truss System

Truss design settings

Cope truss elements by parameters

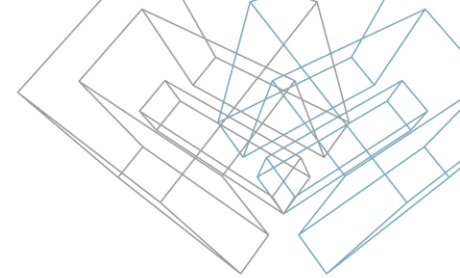
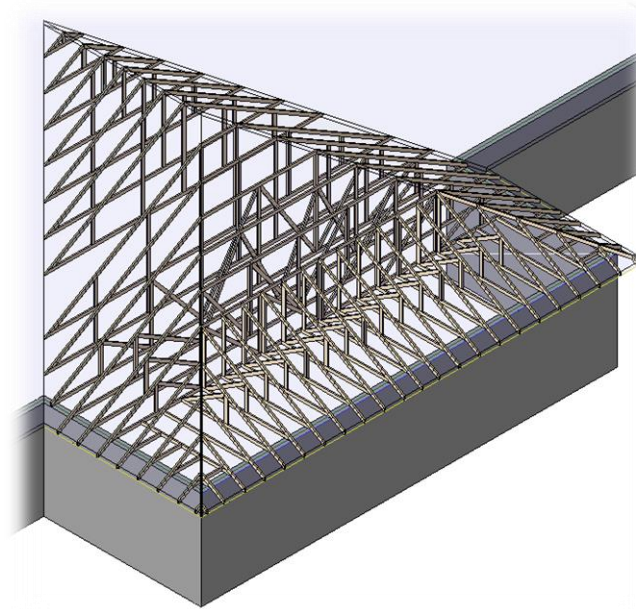
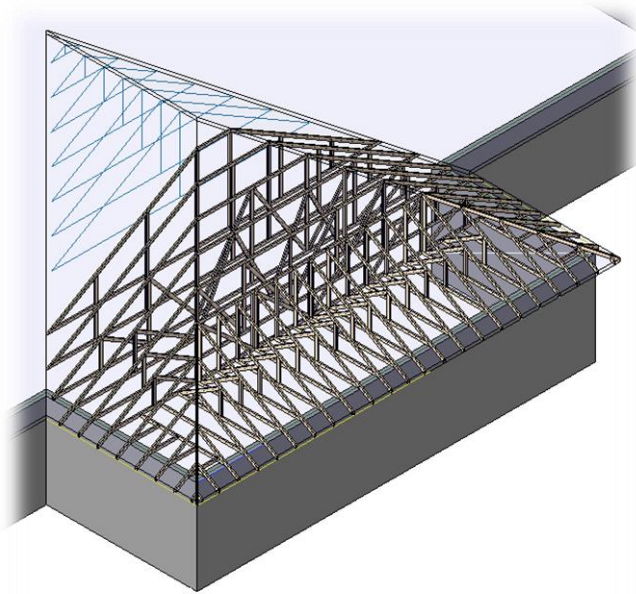
Use vertical cutting type for webs

Attach truss to roof top faces

OK Cancel

Generate Trusses

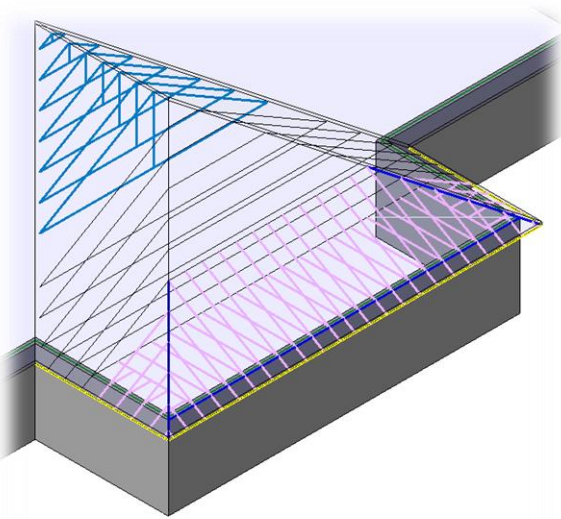
- Repeat it for every grid separately.



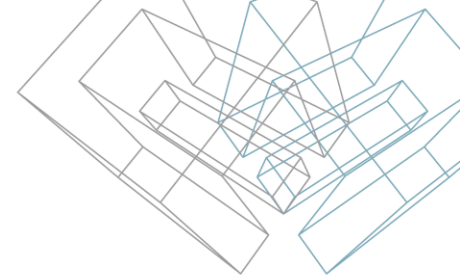
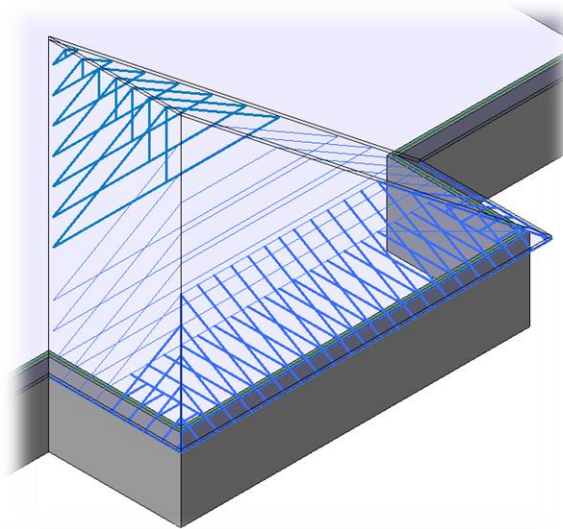
Generate Trusses

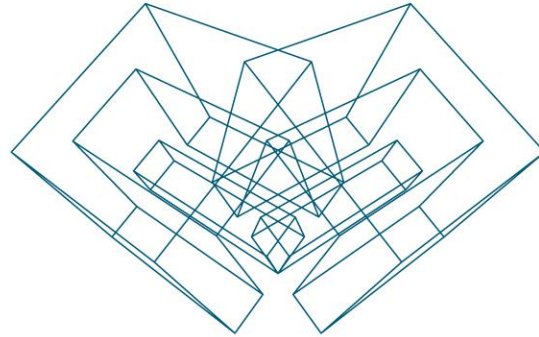
- If an error message 'Select grid' occurs, it means that the user hasn't selected a grid before trying to generate trusses.

Not selected grid



Selected grid





AGA CAD Ltd

T: +370 618 55671 | E: support@aga-cad.com | W: www.aga-cad.com