

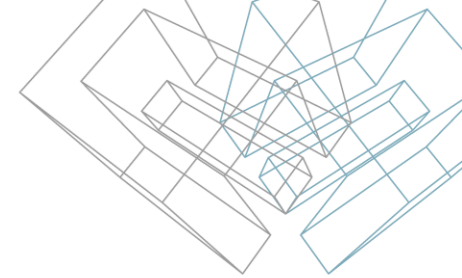
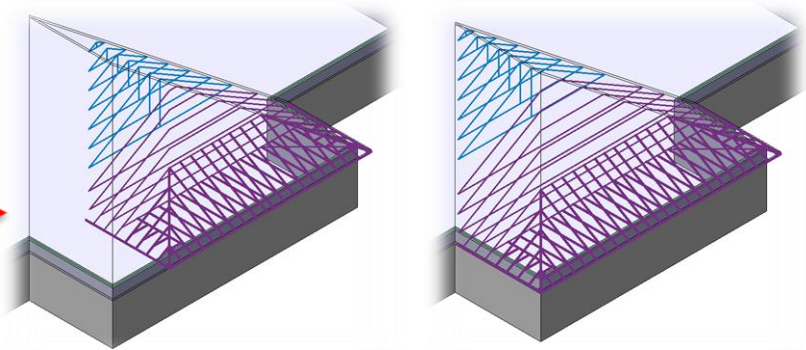
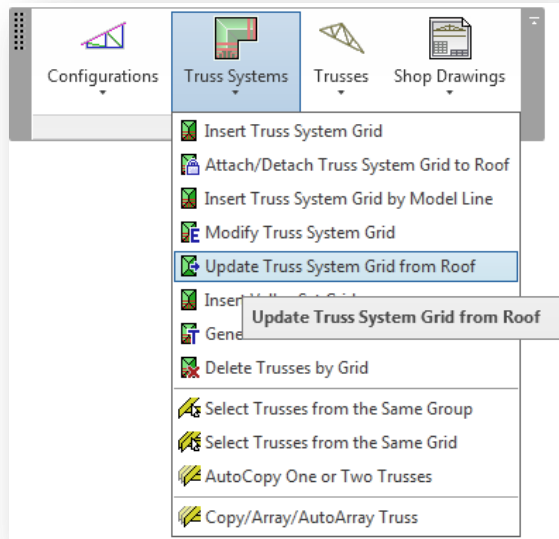


# METAL FRAMING TRUSS+

## Modify Grid from Roof

# Update Grid from Roof

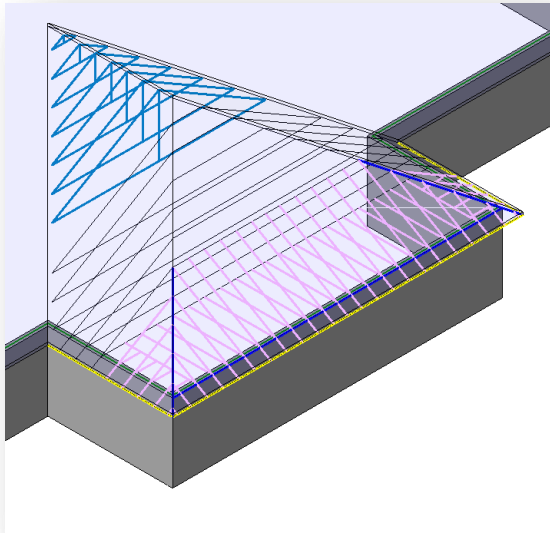
- Select a grid.
- Choose *Update Grid from Roof* directly from “Truss+” menu.
- The grid will be automatically updated according to the roof geometry.



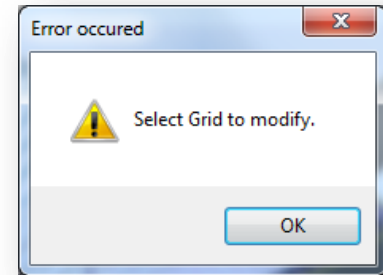
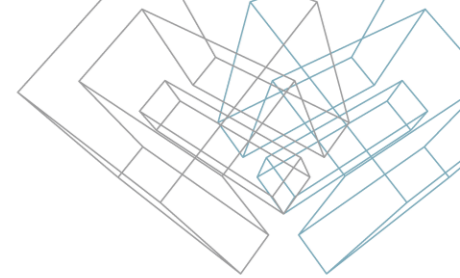
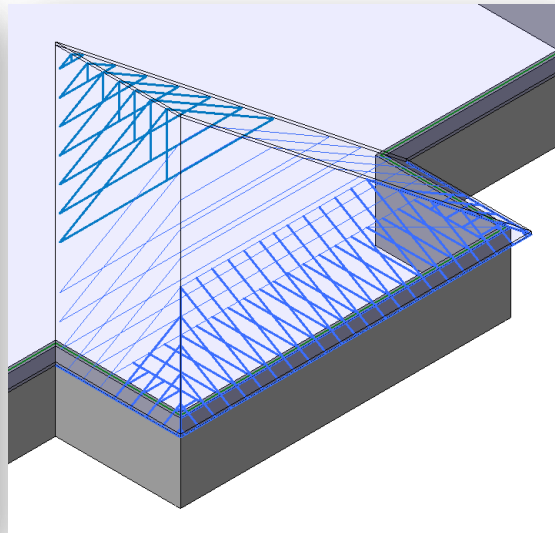
# Update Grid from Roof

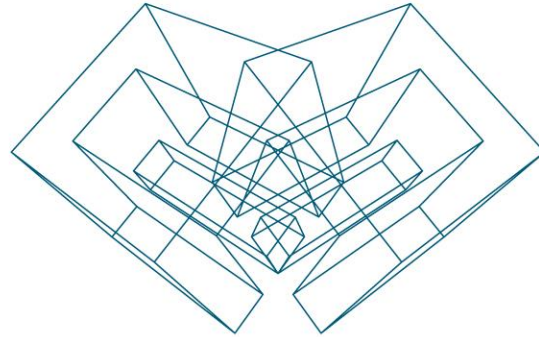
- If an error message 'Select Grid to modify' occurs, it means that the user hasn't selected grid before trying to update it.

Not selected grid



Selected grid





AGA CAD Ltd

T: +370 618 55671 | E: [support@aga-cad.com](mailto:support@aga-cad.com) | W: [www.aga-cad.com](http://www.aga-cad.com)